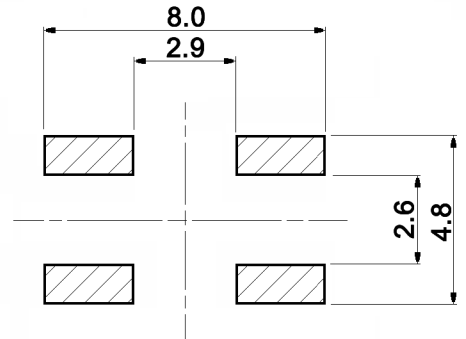


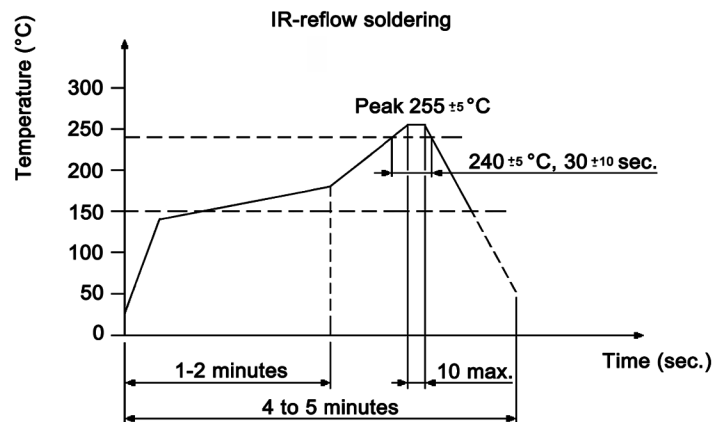
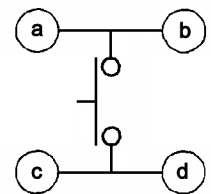
SURFACE MOUNT DIMENSION



Specifications:

- Contact rating: 350 mA, 12 V DC
 - Contact resistance: 100mOhm max.
 - Insulation resistance: 100MOhm min. at 100V DC for 1 minute
 - Dielectric strength: 500V AC (50/60Hz, 2mA) for 1 minute
 - Operating temperature: -25°C to +80°C
 - Mechanical life: 100 000 cycles
 - Electrical life: 20 000 cycles
 - Operating force: 2.5 +/-0.7 N
 - Material: Cover: stainless steel, natural
Stem: aluminum, natural
Contact clip: stainless steel, silver plated 0.5µm
Terminal: brass, silver plated 0.5µm
Membrane: polyamide, natural
- Soldering conditions:** 2 passes max.

CIRCUIT DIAGRAM

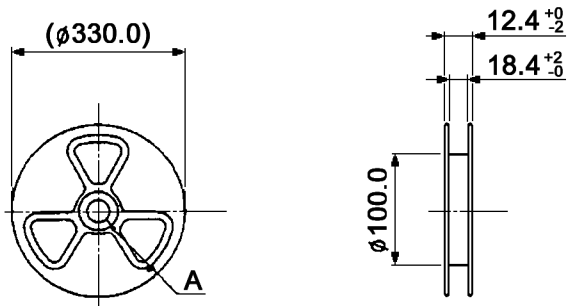


Compliance: RohS III (2015/863/EU)

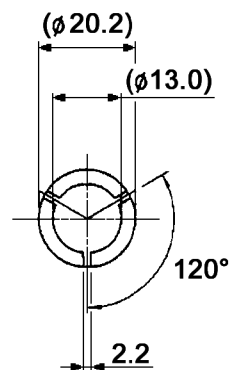
Tolerances: up to 10: ±0.2mm above 10-50: ±0.3mm		Date	Name	<h1>TSS 507</h1>
		03/09	dr	
Electrical life	08/24	dr		
Contact rating	08/24	dr		
Contact rating	10/17	dr		<h1>30 02 64</h1>
Operating temperature	06/17	dr		
Sheet review	03/09	dr	knitter-switch	Page
Modifications	Date	Name		

Packaging:

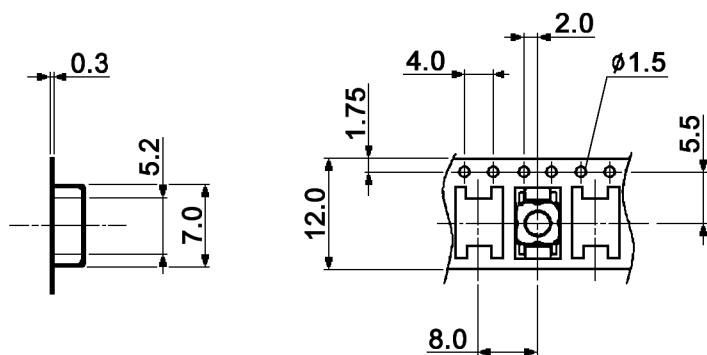
REEL



DETAIL A



CARRIER TAPE



COVER TAPE



Packaging unit: 4 000 pcs. / reel
 Compliance: RohS III (2015/863/EU)

Tolerances: up to 10: ±0.2mm above 10-50: ±0.3mm		Date	Name	<h1>TSS 507</h1>
		03/09	dr	
Electrical life	08/24	dr		
Contact rating	08/24	dr		
Contact rating	10/17	dr		<h1>30 02 64</h1>
Operating temperature	06/17	dr	knitter-switch	
Sheet review	03/09	dr		
Modifications	Date	Name		Page 2/2